



DLFB30

Short linear smoke beam detector

- EN54-12
- CE Approved according to CPR

DLFB30-I and DLFB30-R are 2 references for short beam detectors. With their **embedded laser pointer** and an unique **passive reflector**, the references are ideals for installation on site where normal point smoke detectors cannot be used. Existing in addressable version (**DLFB30-I**) and relay version (**DLFB30-R**), the device is compatible with SD3 addressable panel and all conventional panels.

Its technology allows a coverage area of **3 to 30m length** and up to 15m width.

The **embedded laser pointer** allows a simple installation and **self-calibration** of the device without needs of tools or calibration devices.

DLFB30-I and DLFB30-R exists also in **flush-mount** and **industrial version**.



Main characteristics

- Standard EN54-12
- CE approved according to CPR
- 3m to 30m length coverage
- 15m wide coverage (7,5m on each side)
- Independent self-powered laser pointer
- Self-calibration
- Industrial version, IP66 (option)
- Flush mounting version (option)

Power supply specification

| | |
|---------------------------|---------------------------|
| Main supply voltage | 13 Vdc to 28(Nom: 24 Vdc) |
| Quiescent current (24Vdc) | <0,75mA max. |
| Alarm current (24Vdc) | 33mA nominal |
| Calibration mode | 20mA |

Mechanical characteristics

| | Standard | Flush-mount |
|---------------------------|------------------------------|------------------|
| Unit dimensions (in mm) | L:115 H:115 D:78 | L:115 H:115 D:68 |
| IP rating | IP41 (optical block:IP54) | |
| Maximum section of cables | 1 x 1,5mm ² | |

Isolator characteristics

| | |
|-----------------------------|--|
| Short-circuit isolator type | Isolator simple et « monitored» |
| Loop power voltage | $V_{max} = 28 \text{ Vdc}$; $V_{nom} = 24 \text{ Vdc}$; $V_{min} = 13 \text{ Vdc}$ |
| Current maximum | $I_{C \text{ max}} = 350 \text{ mA}$; $I_{S \text{ max}} = 1 \text{ A}$; $I_{L \text{ max}} = 100 \mu\text{A}$ |
| Maximum Impedance | $Z_{C \text{ max}} = 8 \Omega$, closed switch |
| Open voltage of the ICC | $V_{SO \text{ max}} = 7,6 \text{ V}$; $V_{SO \text{ min}} = 6,0$ |
| Re-connection voltage | $V_{SC \text{ min}} = 6,0 \text{ V}$ $V_{SC \text{ max}} = 7,6 \text{ V}$ |

Optical characteristics

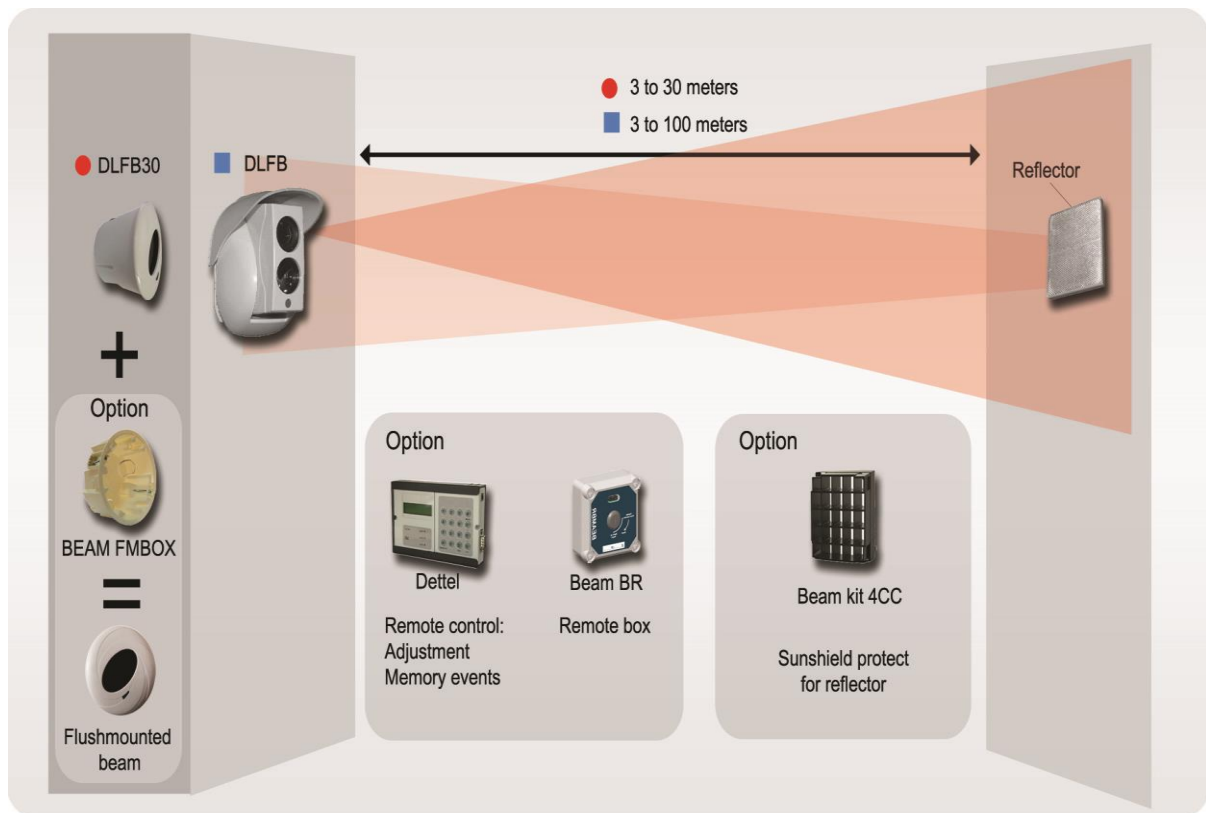
| | |
|---|-------------------------------|
| Optical wavelength | 940nm |
| Operating range | 3m to 30m |
| Width operating range | 7,5m on each side (15m total) |
| Max. angular misalignment optical block | $\pm 5^\circ$ |
| Max. angular misalignment reflector | $\pm 5^\circ$ |
| Max. angular movement of optical block | $\pm 1,8^\circ$ |
| LED indicator visualization angle | 180° |
| Fault threshold | 92% |





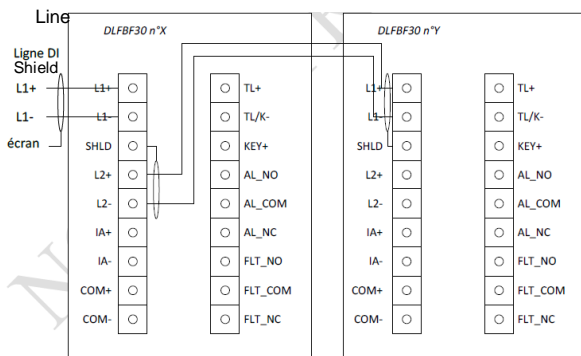
DLFB30

Short linear smoke beam detector

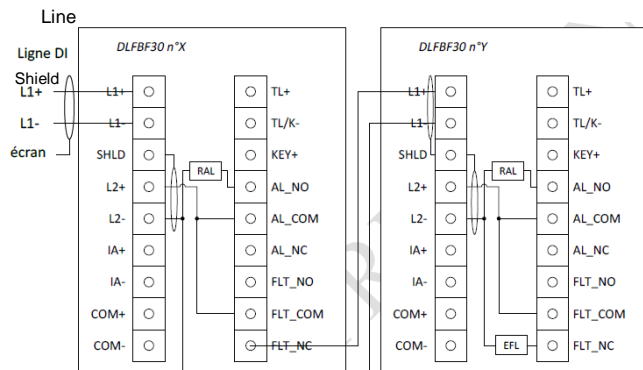


DLFB30-I

DLFB30-R



Connection on SD3 addressable panel



Connection on conventional panel

REFERENCE

DLFB30-I
DLFB30-R

OPTIONS

DETTEL
BEAMBR
BEAM-FMBOX

DESCRIPTION

INTELLIGENT INTERACTIVE BEAM DETECTOR (loop powered) EN54-12, CE according to CPD
RELAY BEAM DETECTOR, NO-NC ALARM, NO-NC FAULT, EN54-12, CE according to CPD

Remote control with display and keypad for DLFB30.
Remote box for beam, allows to remotely enable/disable the beam.
FLUSHMOUNTING box for DLFB30

